

Jøtul F 100  
Nordic QT

# Jøtul F 100 Nordic QT Woodburning Stove

Installation and Operating Instructions  
for the United States and Canada



- The Jøtul F 100 Nordic QT non-catalytic stove is listed to burn solid wood only. Do not burn any other fuels.
- Read this entire manual before you install and use this appliance.
- Save these instructions for future reference and make them available to anyone using or servicing the stove.
- This wood heater requires periodic inspection and repair for proper operation. See this manual for specific maintenance information. It is against federal regulations to operate this wood heater in a manner inconsistent with the operating instructions in this owner's manual.



## Table of Contents

### General Information

Standards .....2  
 Combustion Specifications .....3  
 Codes .....3  
 Safety Notices .....4

### 1.0 Installation

Flue Collar Installation .....4  
 Ash Lip .....5  
 Door Knob .....5  
 Chimney Connector .....5  
 Flue Collar Heat Shield .....5

### 2.0 Chimney Requirements

Masonry Chimneys .....6  
 Prefabricated Chimneys.....6  
 Chimney Height.....6  
 Wall Pass-Throughs.....7

### 3.0 Connecting to the Chimney

Masonry Chimney .....8  
 Hearthmount / Fireplaces.....8  
 Prefabricated Chimneys.....9

### 4.0 Clearances to Combustibles

Floor Protection .....9  
 Clearances to Walls and Ceilings.....10  
 Alcove Installation.....10  
 Clearance Chart .....12  
 Clearance Diagrams.....13

### 5.0 Operation

Combustion Efficiency .....14  
 CO Emissions .....14  
 Wood Fuel and Performance .....14  
 Break-in Procedure .....15  
 Starting / Maintaining the Fire.....16  
 Formation of Creosote .....16  
 Adding Fuel .....16

### 6.0 Maintenance

Ash Removal .....17  
 Glass Care.....17  
 Chimney .....17

### 7.0 General Maintenance

Enamel .....18  
 Annual Inspection .....18  
 Gaskets.....18

### 8.0 Accessories

Stove-top Thermometer .....18  
 Flue Collar Heat Shield.....18

### 9.0 Warranty .....19

### 10.0 Illustrated Parts List..... 22-23

#### WARNING !

**THIS WOOD HEATER HAS A MANUFACTURER-SET MINIMUM LOW BURN RATE THAT MUST NOT BE ALTERED. IT IS AGAINST FEDERAL REGULATIONS TO ALTER THIS SETTING OR OTHERWISE OPERATE THIS WOOD HEATER IN A MANNER INCONSISTENT WITH OPERATING INSTRUCTIONS IN THIS MANUAL.**

**This heater meets the 2015 U.S. Environmental Protection Agency's emission limits for wood heaters manufactured after May 15, 2015. This heater may not be sold after May 15, 2020.**

## Standards

The Jøtul F 100 Nordic QT solid fuel heater has been tested and listed to :

U.S. Standards: ANSI/UL 737 and ANSI/UL 1482.

Canadian Standards:

CAN/ULC-S627-M00 and CAN/ULC-S628-M93

**Certified Safety Tests performed by:**  
 Intertek Testing Services, Middleton,  
 Wisconsin U.S.A.



*Manufactured by:*

Jøtul North America, Inc.  
 55 Hutcherson Drive  
 Gorham, Maine 04038, USA  
 and

Jøtul AS, P.O. Box 1411, Fredrikstad, Norway

**A French language version of this manual is available to download at [www.jotul.ca](http://www.jotul.ca).**

**Télécharger la version française de ce manuel à l'adresse [www.jotul.ca](http://www.jotul.ca).**

**NOTE: It is normal for a new, painted stove to emit odor and smoke during initial fires, depending upon temperatures over time. This is caused by the curing of the high temperature paint and manufacturing materials. This condition can be alleviated by opening a window or door to provide additional ventilation.**

# Combustion Specifications

## Jøtul F 100 Nordic QT

<b>Heat Output Range:<sup>1</sup></b>	7,700 to 27,400 BTU/hr.
Max. Heat Output:	35,000 BTU/hr.
<b>Heating Capacity:<sup>2</sup></b>	Up to 800 sq. ft.
<b>Maximum Burn Time:<sup>2</sup></b>	Up to 6 hours
<b>EPA Efficiency:<sup>3</sup></b>	HHV: 72.85%    LHV: 78.75%
<b>CO Emissions:<sup>4</sup></b>	113.99 g/hr
<b>Pariculate Emissions:<sup>5</sup></b>	3.0 g/hr
<b>Fuel:</b>	Up to 16" Logs (406 mm)

<sup>1</sup> Heat Output Range results are determined during specific emissions tests established by the EPA.

The *Maximum Heat Output* value is representative of a more frequent re-fueling cycle than specified in the EPA High Heat Output test method.

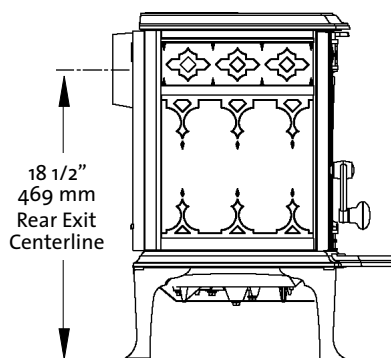
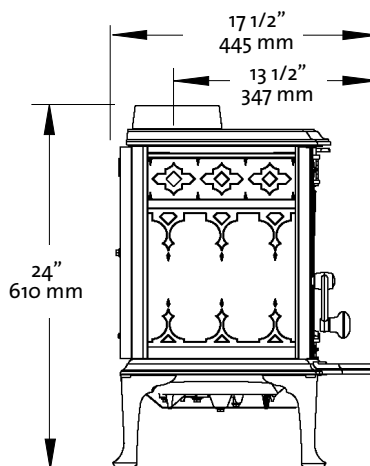
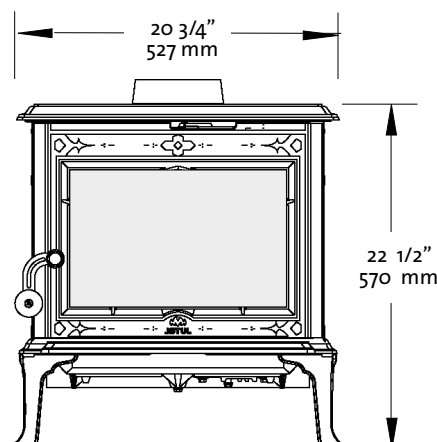
<sup>2</sup> Heating Capacity and Maximum Burn Time will vary depending on design of home, climate, wood type and operation

<sup>3</sup> EPA Validated Efficiency:

*High Heat Value and Low Heat Value* are obtained per CSA B415.1-10 test method. HHV calculation encompasses all products of combustion, including H<sub>2</sub>O condensation. LHV calculation includes H<sub>2</sub>O in its vapor state. Simply put, HHV assumes all the water component is in a liquid state (condensed) at the end of combustion and that heat recovered from condensation can be put to use.

<sup>4</sup> Carbon Monoxide Emissions rate results from Test Method CSA B415.1-10.

<sup>5</sup> Particulate Emissions rate is obtained using EPA Test Method 28-5H.



## Check Building Codes

When installing, operating and maintaining your Jøtul F 100 Nordic QT woodstove, follow the guidelines presented in these instructions, and make them available to anyone using or servicing the stove.

Your city, town, county or province may require a building permit to install a solid fuel burning appliance.

In the U.S., the National Fire Protection Association's Code, NFPA 211, *Standards for Chimneys, Fireplaces, Vents and Solid Fuel Burning Appliances*, or similar regulations, may apply to the installation of a solid fuel burning appliance in your area.

In Canada, the guideline is established by the CSA Standard, CAN/CSA-B365-M93, *Installation Code for Solid-Fuel-Burning Appliances and Equipment*.

Always consult your local building inspector or authority having jurisdiction to determine what regulations apply in your area.

## Safety Notices

- **BURN SOLID, NATURAL WOOD FUEL ONLY. DO NOT BURN ANY OTHER FUEL.**
- **DO NOT USE CHEMICALS OR FLUIDS TO START A FIRE. DO NOT BURN GARBAGE OR FLAMABLE FUELS.**
- **DO NOT USE A GRATE OR ELEVATE THE FIRE. BUILD THE FIRE DIRECTLY ON THE HEARTH.**
- **IF THIS ROOM HEATER IS NOT PROPERLY INSTALLED, A HOUSE FIRE MAY RESULT. TO REDUCE THE RISK OF FIRE, FOLLOW THE INSTRUCTIONS IN THIS MANUAL. FAILURE TO FOLLOW THESE INSTRUCTIONS MAY RESULT IN PROPERTY DAMAGE, BODILY INJURY, OR LOSS OF LIFE.**
- **CONTACT LOCAL BUILDING OR FIRE OFFICIALS ABOUT RESTRICTIONS AND INSTALLATION INSPECTION REQUIREMENTS IN YOUR AREA.**
- **ANY EXISTING CHIMNEY SYSTEM MUST BE INSPECTED BEFORE INSTALLATION OF THIS APPLIANCE.**
- **DO NOT CONNECT THIS STOVE TO ANY AIR DISTRIBUTION DUCT OR SYSTEM.**
- **EXTREMELY HOT WHILE IN OPERATION! KEEP CHILDREN, CLOTHING, AND FURNITURE AWAY. CONTACT WILL CAUSE SKIN BURNS. USE A CHILD GUARD SCREEN TO PREVENT ACCIDENTAL CONTACT BY SMALL CHILDREN.**
- **INSTALL SMOKE DETECTORS IN THE LIVING AREA AND BEDROOMS OF YOUR HOME. TEST THEM REGULARLY AND INSTALL FRESH BATTERIES TWICE ANNUALLY.**  
WHEN INSTALLED IN THE SAME ROOM AS THE STOVE, A SMOKE OR CARBON MONOXIDE DETECTOR SHOULD BE LOCATED AS FAR FROM THE STOVE AS POSSIBLE TO PREVENT THE ALARM SOUNDING WHEN ADDING FUEL.
- **Avoid creating a low pressure condition in the room where the stove is operating. Be aware that operation of an exhaust fan or clothes dryer can create a low pressure area and consequently promote flow reversal through the stove and chimney system. In some cases, the optional Outside Air Kit #154335 can be used to alleviate this condition. The chimney and building, however, always work together as a system - provision of outside air, directly or indirectly to an atmospherically vented appliance will not guarantee proper chimney performance. Consult your local Jøtul authorized dealer regarding specific installation/performance issues.**
- **Jøtul strongly recommends that this stove be installed by a professional solid fuel technician, or that you consult one if you do the work yourself. Also, consult your insurance company regarding any other specific requirements.**

## 1.0 Installation

If this solid fuel room heater is not properly installed, a house fire may result. For your safety, follow the installation directions. Contact the local building or fire officials about restrictions and installation inspection requirements in your area.

Your local officials have final authority in determining if a proposed installation is acceptable. Any requirement by the local authority having jurisdiction that is not specifically addressed in this manual, defaults to NFPA 211, and local codes in the U.S. or in Canada, CAN/CSA-B365-M and local codes.

### Assembly Before Installation

#### Unpack the Stove

Inspect the stove for damage. Contact your dealer immediately if any damage is found. Do not install the stove if any damage is evident.

#### Contents:

- Flue Collar w/ Chimney Connector Screws
- Ash Lip
- Flue Collar Heat Shield
- Hardware Bag
  - Flue Collar Gasket
  - #8 x 1/2" Collar heat shield screws, 2
  - Door Handle Knob components

### Flue Collar Installation

#### Top-Exit Position

1. Remove the protective tape from the self-adhesive Flue Collar Gasket and apply the gasket to the underside mating lip of the Flue Collar.
2. Secure the collar to the top plate exhaust outlet at the clevis slots using the pre-installed collar screws.

#### Rear-Exit Position

1. Using tin snips, cut out the panel from the Rear Heat Shield for the Flue Collar to pass through. See **fig. 1**.
2. Reach through the top plate exhaust outlet to remove the two bolts and Rear Cover Plate from the back of the stove. See **fig. 2**.
3. Remove the protective tape and apply the Flue Collar Gasket to the underside mating surface lip of the Flue Collar.
4. Reach through the top plate outlet to secure the flue collar to the rear outlet using the pre-installed collar screws.
5. Reach through the rear outlet and use the original screws to secure the Cover Plate to the Top Plate.

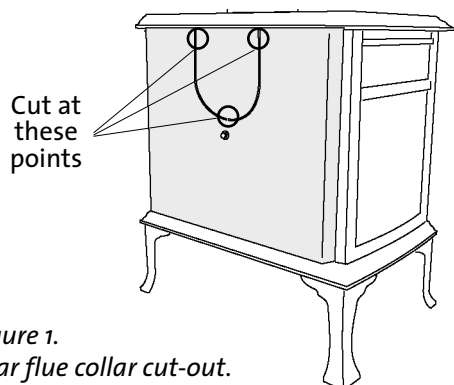


Figure 1.  
Rear flue collar cut-out.

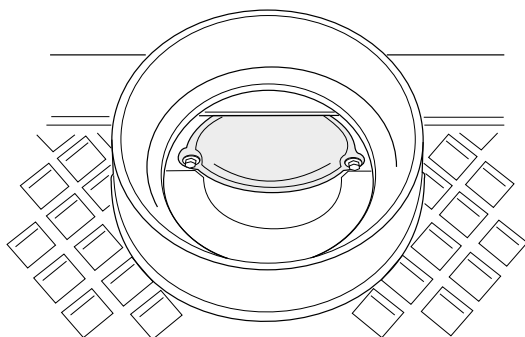


Figure 2. Remove the Rear Flue Outlet Cover Plate.

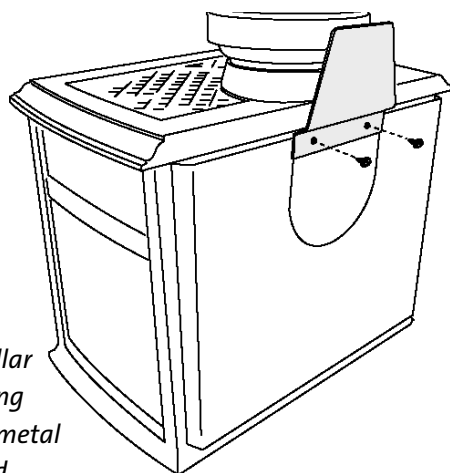


Figure 3.  
Attach flue collar  
heat shield using  
the two sheet metal  
screws supplied.

## Install the Ash Lip

Attach the Ash Lip to the front by engaging the center tab with the slot located under the front door.

## Assemble the Door Knob

Locate the white washer between the handle and the knob.

## Install Flue Collar Heat Shield

This heat shield must be installed on stoves using **double wall chimney connector** in order to provide additional protection to combustible materials from heat radiating from the flue collar of the stove. The insulating properties of double wall pipe result in higher flue temperatures in this area than are generated within single wall connectors. See page 12 for detailed clearance specifications.

## Chimney Connector

Use 6" single wall or listed 6" double-wall stovepipe to connect the stove to the chimney. Single wall stovepipe must be black iron or stainless steel and have a minimum thickness of 24 gauge. Do not use aluminum or galvanized steel pipe for chimney connection - these materials are not suitable for use with solid fuel.

Use of double-wall pipe will require installation of included Flue Collar Heat Shield in order to meet the minimum combustible wall clearance. See page 12 for clearance specifications.

Follow these guidelines regarding chimney connector construction:

- **Do not use chimney connector as a chimney. It is intended only for use as a connection device.**
- Each connector section must be oriented with the male (crimped) end pointing toward the stove. See **fig. 4.**
- Secure all connector joints with three sheet metal screws. The connection to the stove flue collar takes two sheet metal screws.
- For the best performance, the chimney connector should be as short and direct as possible, including no more than two 90° elbows.
- **The maximum vertical run of single wall stovepipe should not exceed 10 ft. (305 cm).**
- **The maximum horizontal run should not exceed 3 ft. (92 cm) with a 1/4" rise per foot.** Under no circumstance should horizontal pipe be allowed to slant down toward the chimney.
- No part of the chimney connector may pass through an attic or roof space, closet or other concealed space, or through a floor or ceiling. All sections of the chimney connectors must be accessible for cleaning. Where passage through a wall or partition of combustible construction is desired, the installation must conform with NFPA 211 or CAN/CSA-B365, and is also addressed in this manual.
- **Do not connect this stove to a chimney flue servicing another appliance.**

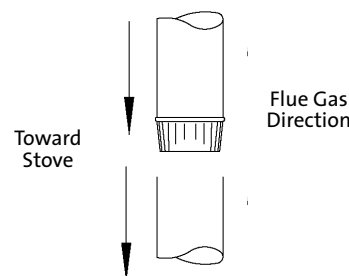


Figure 4. Chimney connector orientation.

## 2.0 Chimney Requirements

There are two types of chimneys suitable for the Jøtul F 100 :

1. A code-approved masonry chimney with a ceramic tile or listed steel flue liner.
2. A prefabricated chimney complying with the requirements for Type HT (2100°F) chimneys per UL 103 or ULC S629.

The chimney size should not be less than the cross-sectional area of the flue collar, and not more than three times greater than the cross-sectional area of the flue collar.

When selecting a chimney type and the location for the chimney in the house, keep this in mind: **It is the chimney that makes the stove work, not the stove that makes the chimney work.** This is because a chimney actually creates a suction, called “draft” which pulls air through the stove.

Several factors affect draft: chimney height, cross-sectional area (size), and temperature of the chimney, as well as the proximity of surrounding trees or buildings.

A short exterior masonry chimney will give the poorest performance because it will be difficult to warm the flue and sustain the temperatures necessary to maintain draft strength. In extremely cold climates, it may be necessary to reline the chimney or extend the height to help establish draft.

A tall, interior masonry chimney is easier to keep warm and will perform the best under a variety of weather and environmental conditions.

The following guidelines give the necessary chimney requirements based on the national code (ANSI-NFPA 211 for the US. And CSA CAN-B365 for Canada). However, many local codes differ from the national code to take into account climate, altitude, or other factors. Your local building inspector is the final approving authority. Consult them prior to installation.

**Do not connect the stove to any air distribution duct or system.**

### Masonry Chimneys

When installing the Jøtul F 100 into a masonry chimney you must conform to all of the following guidelines:

- The masonry chimney must have a fireclay liner or equivalent, with a minimum thickness of 5/8” (14 mm) and must be installed with refractory mortar. There must be at least 1/2” (12.7 mm) air space between the flue liner and chimney wall.

- The fireclay flue liner must have a nominal size of 8” X 8” (20 cm x 20 cm), and should not be larger than 8”X 12” (20 cm x 30 cm). A round fireclay liner must have a minimum inside diameter of 6” (15 cm) and maximum inside diameter of 8” (20 cm). A larger chimney should be relined with an appropriate code approved liner.
- Brick or modular block must be a minimum of 4” (10 cm) nominal thickness. Stone construction must be at least 12” (30 cm) thick.
- A newly-built chimney must conform to local codes, or, in their absence, must comply with national regulations.
- An existing chimney must be inspected by a professional licensed chimney sweep, fire official, or code officer to ensure that the chimney is in proper working order.
- No other appliance may be vented into the same flue.
- An airtight clean-out door should be located at the base of the chimney.

### Prefabricated Chimneys

A prefabricated metal chimney must be tested and listed for use with solid fuel burning appliances. High Temperature (HT) Chimney Standard UL 103 for the U.S. and High Temperature Standard ULC S-629 for Canada. The manufacturer’s installation instructions must be followed precisely. Always maintain the proper clearance to combustibles as established by the pipe manufacturer. This clearance is usually a minimum of 2”, although it may vary by manufacturer or for certain chimney components.

### Chimney Height

The chimney must be at least 3 feet (92 cm) higher than the highest point where it passes through the roof and at least 2 feet (61 cm) higher than the highest part of the roof or structure that is within 10 feet (3.05 m) of the chimney, measured horizontally. **See figure 5.**

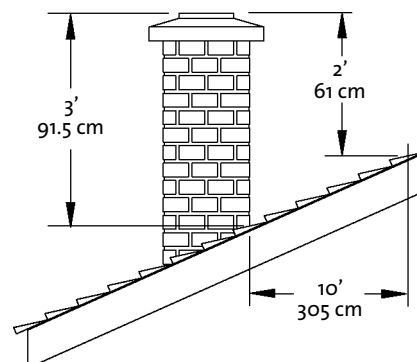


Figure 5. Chimney Height Requirement.

Chimneys shorter than 14 feet (4.27 m) may not provide adequate draft. Inadequate draft can result in smoke spillage when loading the stove, or when the door is open. Poor draft can also cause back puffing (ignition of gas build-up inside the firebox) and sluggish performance. The minimum height does not, in itself, guarantee proper chimney performance.

Excessive chimney height can promote over-strong draft resulting in high stove temperatures and short burn times. Excessive draft can be corrected by installing a butterfly damper. Your Jøtul dealer is an expert resource to consult regarding draft issues or other performance-related questions.

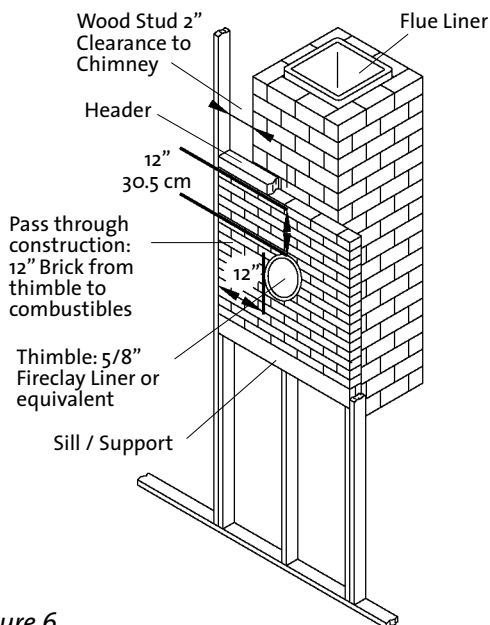
## Wall Pass-Throughs

### In the U.S.

The National Fire Protection Association's publication, NFPA 211, *Standard for Chimneys, Fireplaces, Vents and Solid Fuel Burning Appliances* permits four methods for passing through a combustible wall. Before proceeding with any method be sure to consult with your local building officials to discuss any local code requirements.

#### Common Method:

See **Figure 6**. Remove all combustible materials from the pass-through area (around the chimney connector), a minimum 12" (30.5 cm). A 6" (15.2 cm) diameter connector will require a 31" x 31" (78.7 x 78.7 cm) square opening.



**Figure 6.**  
*Masonry Wall Pass-through.*

The opening must be filled with at least 12" (30.5 cm) of brick around a fireclay liner. The liner must be ASTM C35 or equivalent, having a minimum wall thickness of 5/8" (16 mm).

The Pass-through must be at least 18" (45.7 cm) from combustible ceiling materials.

It will be necessary to cut wall studs, install headers, and construct a sill frame to maintain the proper dimensions and to support the weight of the brick.

The bricks must be solid brick with a minimum of 3 fh inches thick (nominal 4" / 102 mm).

Refractory mortar must be used at the junction of the chimney and the pass-through liner. The pass-through liner must not penetrate the chimney liner beyond the inner surface of the chimney liner. Use extreme care when constructing the hole in the chimney liner as the tiles can shatter easily.

### In Canada

The installation must conform to CAN/CSA-B365, *Installation Code for Solid Fuel Burning Appliances and Equipment*. Before proceeding be sure to consult your local building inspector.

#### Common Method:

This method requires the removal of all combustible materials from at least 18" (45.7 cm) around the chimney connector's proposed location. A 6" round liner requires a minimum opening 43" x 43" (109.2 x 109.2) square.

Locate the pass-through at least 18" from combustible ceiling materials.

The space that is cleared of combustible materials must remain empty. Sheet metal panels can be used to cover the area. However, when using a panel on both sides of the wall, each cover must be installed on noncombustible spacers at least 1" from the wall. If one panel of sheet metal is to be used it may be installed flush to the wall.

**See section 5.3.1 and 5.3.2 of CAN/CSA - B365-M91.** Consult your local building inspector, authorized Jøtul Dealer, NFPA 211 in the U.S. or CAN/CSA-B635 in Canada for other approved wall pass-through methods.

# 3.0 Connecting to the Chimney

## Masonry Chimney

When installing a Jøtul F 100 into a masonry chimney through a “thimble” (the opening through the chimney wall to the flue), the thimble must consist of ceramic tile or steel and be securely cemented in place.

The chimney connector/stove pipe must slide completely inside the thimble to the inner surface or the flue liner. It may be necessary to make use of a thimble sleeve (a pipe with a slightly smaller diameter than standard stove pipe). See figure 7.

The connector pipe or thimble sleeve must not protrude into the flue liner or otherwise restrict draft.

Use refractory cement to seal the seam between the chimney connector, sleeve, and thimble.

**Do not connect this stove to a chimney flue servicing another appliance of any kind.**

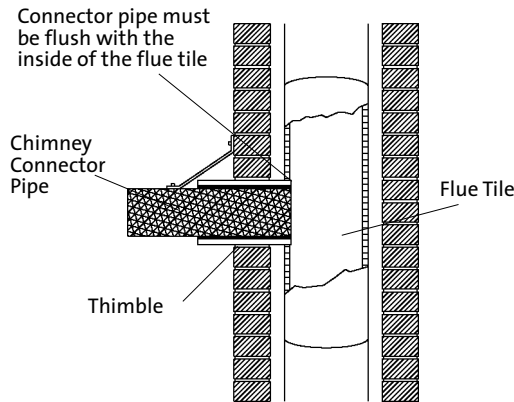


Figure 7. Masonry Chimney Thimble.

## Hearthmount into a Masonry Fireplace

The Jøtul F 100 may be installed into a masonry fireplace with a minimum opening height of 22 1/2” (572 mm).

Building code requires that the fireplace damper plate be removed or securely fixed in the open position. A connector pipe must then extend from the stove’s flue exit through the damper area of the fireplace and into the chimney tile liner. See figure 8.

The inside area of the flue liner must not be less than the area of the stove flue collar and cannot be more than three times greater than the cross sectional area of the stove flue collar.

If the chimney liner is too large to accommodate the stove, an approved relining system must be installed to resize the flue.

A new sheet metal damper block-off plate must be installed around the connector pipe at the damper frame and sealed with the proper sealant (usually High-Temp Silicone).

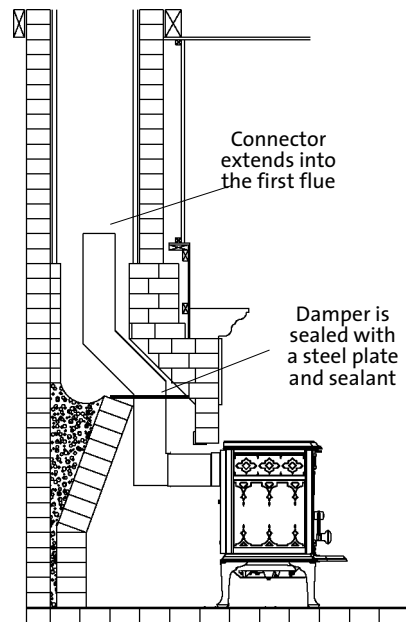


Figure 8. Hearthmount Installation.



## Prefabricated Chimneys

When connecting the Jøtul F 100 to a prefabricated metal chimney always follow the pipe manufacturer's instructions and be sure to use the components that are required. This usually includes a "smoke pipe adapter" that is secured to the bottom section of the metal chimney and allows the chimney pipe to be secured to it with two sheet metal screws. See figure 9.

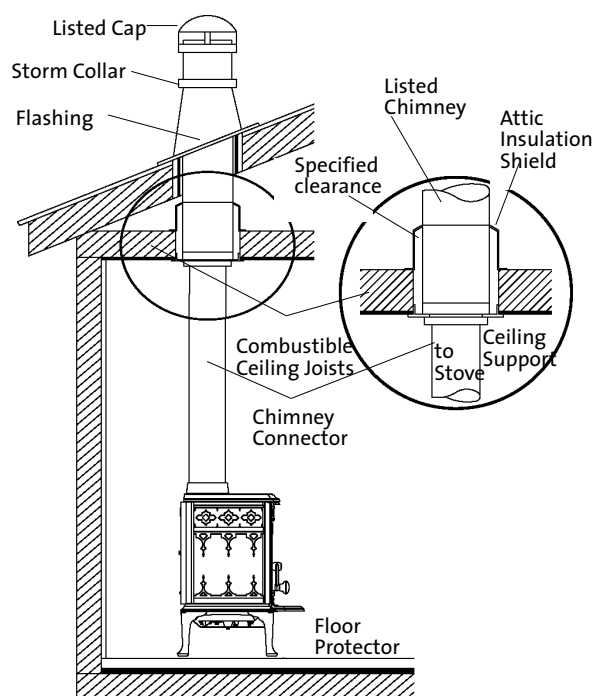


Figure 9. Prefabricated Listed Type HT Chimney.

## 4.0 Clearance to Combustibles

### Floor Protection

The Jøtul F 100 requires one of the following forms of hearth protection:

1. Any UL, ULC or WH listed hearth board. (No bottom heat shield required).
2. Any noncombustible material **with use of the bottom heat shield**.

All forms of protection must include a noncombustible surface extending forward from the glass panel at least 16" for the U.S., or 18" (46cm) for Canada. Protection must extend 8" (21 cm) from the sides and rear for both: the U.S. and Canada.

This will result in a minimum floor protection of 37" W x 38" D for the U.S. or 37" W x 40" D for Canada. See figure 10.

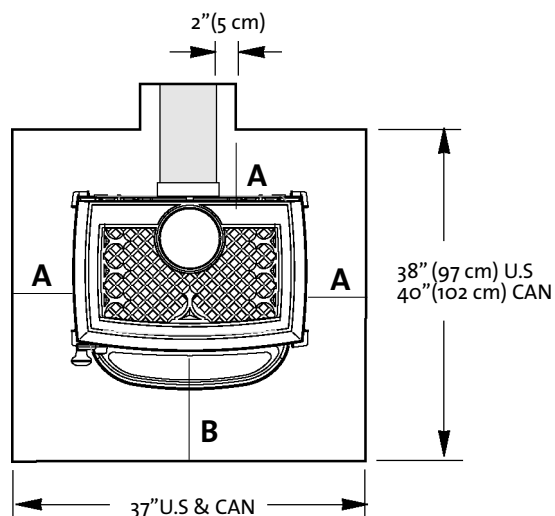


Figure 10. Hearth Protection.

- A: 8" (21 cm)  
 B: 16" (US)  
 B: 46 cm (Can)

In a rear vent installation, the floor protection must also extend under the stove pipe a minimum of 2" (5 cm) beyond either side of the pipe. See figure 9.

### Clearances to Walls and Ceilings

The clearances listed and diagramed in this manual have been tested to UL and ULC standards and are the minimum clearances to combustible materials specifically established for the Jøtul F 100.

A combustible surface is anything that can burn (i.e. sheet rock, wall paper, wood, fabrics etc.). These surfaces are not limited to those that are visible and also include materials that are behind noncombustible materials.

If you are not sure of the combustible nature of a material, consult your local fire officials.

Remember: "Fire Resistant" materials are considered combustible; they are difficult to ignite, but will burn. Also "Fire-rated" sheet rock is also considered combustible.

Contact your local building officials about restrictions and installation requirements in your area.

See pages 12-13 for complete clearance requirements and diagrams.

### Using Shields to Reduce Clearances

**Chimney Connector Heat Shields:** Use only connector heat shielding listed for use with solid fuel heaters. The connector heat shield must begin 1" above the lowest exposed point of the connector pipe and extend vertically a minimum of 25" (640 cm) above the top surface of the stove.

**Double Wall Connector:** Listed double wall pipe is an acceptable alternative to connector pipe heat shields. When using double wall connector, Flue Collar Heat Shield Kit 154996 must be installed on the stove.

**Wall-Mounted Protection:** When reducing clearances through the use of wall mounted protection:

**In the U.S. refer to NFPA 211, Standard for Chimneys, Fireplaces, Vents and Solid Fuel Burning Appliances,** for acceptable materials, proper sizing and construction guidelines.

**In Canada, refer to CAN/CSA-B365, Installation Code for Solid-Fuel Burning Appliances and Equipment,** also for acceptable materials, proper sizing and construction guidelines.

**Notice:** Many manufacturers have developed woodstove accessories that permit clearance reduction. Use only those accessories that have been tested by an independent laboratory and carry the laboratory's testing mark. Be sure to follow all of the manufacturer's instructions.

### Alcove Installation

The Jøtul F 100 can be installed in an Alcove as shown in figures 11 and 12.

1. The stove must be installed with listed double wall pipe.
2. In a **protected** alcove installation both side walls and rear wall must be protected per NFPA 211 or CAN/CSA-B365. The wall protection must be elevated 1" (25 mm) from the floor and spaced at least 1" (25 mm) off the combustible wall, using noncombustible spacers, to allow for air circulation behind the shield.
3. The height of the wall protection including the bottom air space must be 48" (121 cm).
4. Alcove floor protection must consist of a UL/ULC or WHI listed hearth pad (no Bottom Heat Shield required) or any non-combustible material together with a Bottom Heat Shield.
5. Minimum ceiling height in an **unprotected** installation, off the top of the stove is 60" (153 cm). The minimum ceiling height off the top of the stove in a **protected** ceiling installation is 48" (122 cm).

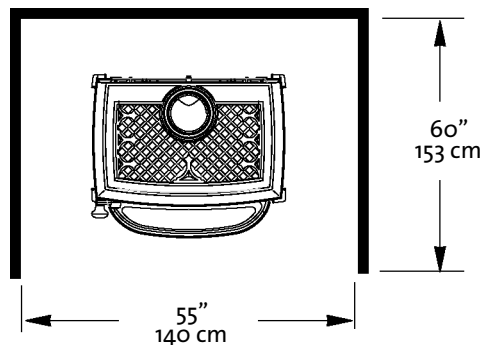


Figure 11. Alcove without Wall Protection.

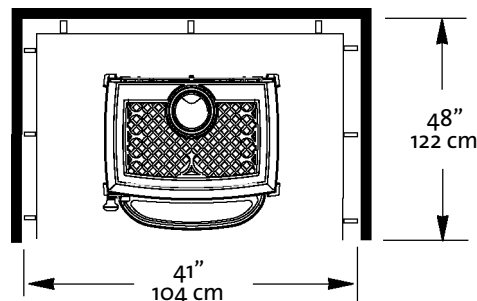


Figure 12. Alcove with Wall Protection.

## **Clearances to Fireplace Mantels and Surround Trim**

See the Clearance Chart on **page 12** for approved clearances to combustible materials that may be part of fireplace construction. **See also fig. 12 on page 12**

## Jøtul F 100 Clearance Chart

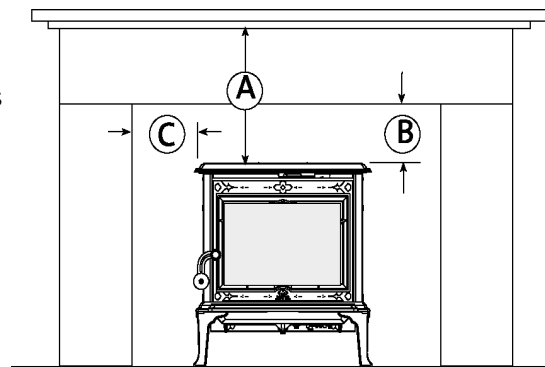
All clearances established with included stove rear heat shield installed.

Stove Clearances	Unprotected Surface Installation			Protected Surface per NFPA211 or CAN/CSA -B365-M93		
	Side <b>A</b> 15" 381 mm	Rear <b>B</b> 11" 280 mm	Corner* <b>J</b> 10" 254 mm	Side <b>C</b> 10" 254 mm	Rear <b>D</b> 5" 127 mm	Corner* <b>K</b> 7" 178 mm
Single-wall Connector						
Single-wall Connector with Connector Shields or Double-wall Connector*	<b>E</b> 17" 432 mm	<b>F</b> 8" 203 mm	<b>L</b> 10" 254 mm	<b>G</b> 10" 254 mm	<b>H</b> 5" 127 mm	<b>M</b> 7" 178 mm
Chimney Connector Vertical Installation	Unprotected Surface			Protected Surface per NFPA211 or CAN/CSA-B365-M93		
Single-wall Connector	11" (280 mm)			6" (153 mm)		
Single-wall Connector with Connector Shields or Double-wall Connector*	8" (203 mm)			5" (127 mm)		
Chimney Connector Horizontal Installation	Unprotected Surface			Protected Surface per NFPA211 or CAN/CSA-B365-M93		
Single-wall Connector	18" (457 mm)			12" (305 mm)		
Double-wall Connector*	Manufacturer's Listing			Manufacturer's Listing		

\* Double Wall Connector must be installed with Flue Collar Heat Shield Kit 154996.

Figure 12

**Mantel and Trim Clearances**  
Top and Side Trim is 1" thick or less  
Maximum Mantel depth 12"



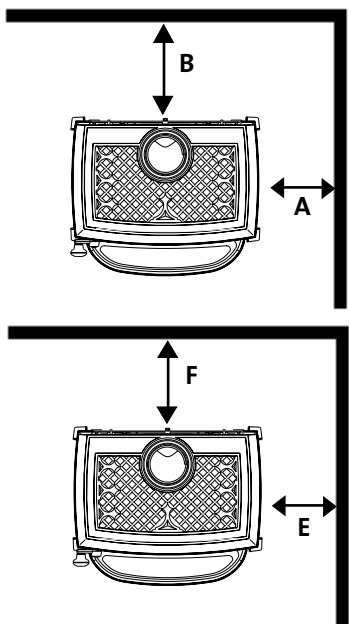
**Unprotected Surfaces**

**Protected Surfaces**

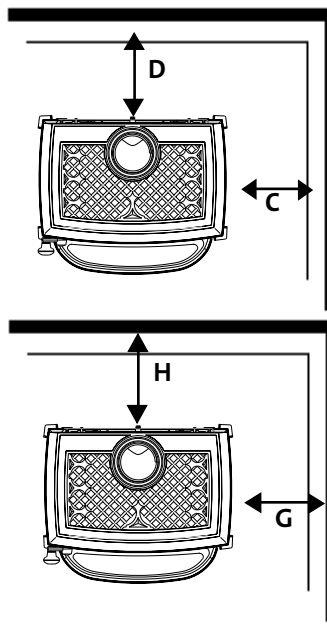
<b>A. Mantel</b>	22" (560 mm)	9" (230 mm)
<b>B: Top Trim</b>	17" (430 mm)	8" (200 mm)
<b>C: Side Trim</b>	14" (355 mm)	7" (430 mm)

Figure 13

**Unprotected Surface  
Parallel To The Wall**

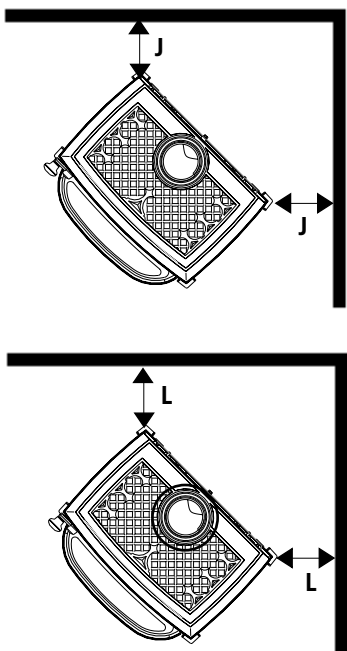


**Protected Surface  
Parallel To The Wall**  
PER NFPA 211 or  
CAN/CSA-B365

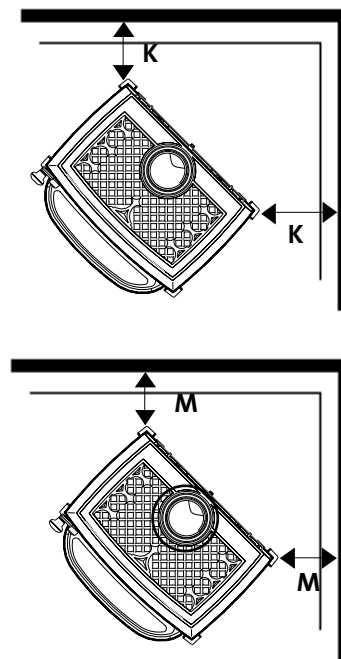


**Important:**  
Connector heatshields and double wall pipe must be a listed product.  
Always follow the manufacturer's instructions.

**Unprotected Surface  
Corner Installation**



**Protected Surface  
Corner Installation**  
PER NFPA 211 or  
CAN/CSA-B365



## 5.0 Operation

Please read the following section before building a fire in your new stove.

### Combustion Efficiency

The Jøtul F 100 has an EPA tested High Heating Value (HHV) efficiency rate of 72.85. There are, however, aspects of efficiency that you should be aware of in order to get the most from your stove. Operation habits and fuel moisture can have a significant effect on efficiency. Poorly seasoned wood having a higher than optimum moisture content, can reduce the amount of energy transferred to the living area as a result of the energy expended to evaporate the excess fuel moisture in order for the wood to burn. Operational aspects, such as not building a robust kindling fire to readily ignite the larger fuel pieces, can result in an inefficient smoldering fire. Additionally, most modern wood heaters' optimum performance and efficiency are at the medium to medium-low burn rates.

The location of the stove can have a significant effect on heating efficiency, primarily in regards to distribution of the heat. For example, a wood heater centrally located in the residence in an open living area will likely provide better circulation of heat than will a stove located in a room adjacent to the larger living area.

### Minimize Carbon Monoxide Emissions

Testing the F 100 to CSA B414.1-10 resulted in a carbon monoxide emission rate of 113.99 grams per hour. There are, however, aspects of CO generation that you should be aware of. Most all means of combustion produce CO, including wood fires. Maintaining a well-established fire and avoiding operation that produces a smoldering, smoky fire, will greatly reduce CO levels.

It is highly recommended that a CO monitor (detector) be installed in the same room as the stove. The monitor, however, should be located as far away as possible from the stove to avoid alert soundings when adding fuel to the fire.

### Wood Fuel and Performance

The F 100 is designed to burn natural wood only. Higher efficiencies and lower emissions generally result when burning air-dried, seasoned hardwoods, as opposed to softwoods, green or freshly cut hardwoods. Wood that has been air-dried for a period of 6 to 14 months will provide the cleanest, most efficient heat. Wood seasoned more than 2 years will burn too quickly to take advantage of the stove's low end efficiency strength.

A seasoned log will have check marks on the ends and be lighter than an unseasoned log which will show little or no check marks.

We recommend using a moisture meter to determine the moisture content of your wood. For purposes of home heating, your fuel should have a moisture content between 12 - 20%. Wood with higher moisture content will burn, however, very inefficiently. Most of its heat value will be lost to driving water out of the wood. Worse, that moisture will condense as creosote in the relatively cool chimney flue, increasing the potential for a chimney fire. Use of unseasoned wood defeats the purpose of any modern wood-burning stove.

#### DO NOT BURN:

- Coal;
- Garbage;
- Synthetic fuel or logs;
- Material containing rubber, including tires;
- Material containing plastics;
- Waste petroleum products, asphalt products, paints, paint thinners or solvents;
- Materials containing asbestos;
- Construction or demolition debris;
- Railroad ties or pressure-treated wood;
- Manure or animal remains;
- Salt water driftwood or other previously salt-water saturated materials;
- Unseasoned wood; or
- Paper products, cardboard, plywood, or particle board. (The prohibition against burning these materials does not prohibit the use of fire starters made from paper, cardboard, saw dust, wax or similar substances for the purpose of starting a fire.)

The burning of any of these materials can result in the release of toxic fumes, or render the heater ineffective and cause smoke. Never use gasoline, gasoline-type lantern fuel, kerosene, charcoal lighter fluid, or similar liquids to start or "freshen-up" the fire. Always keep such liquids away from the heater at all times.

### F 100 Nordic QT Functionality

Your Jøtul F 100 is designed to support efficient combustion and heat transfer by directing air through the stove in two separate channels; **Primary and Secondary**.

#### Primary Air Control

**Primary air** is manually regulated by the Primary Air Control lever located at the under the top plate on the front of the stove. See Fig. 14. The valve position controls the volume of primary air entering the firebox and thereby affects fire intensity, heat output and burn time. Primary air is directed to the main body of the fire through a large manifold over the door opening at the front of the stove. The manifold also creates an 'air-wash' to help keep the viewing glass clean.

**Secondary air** allows combustion of volatile gas and other by-products of primary combustion that would otherwise enter the atmosphere unburned. This unregulated air is preheated as it passes over the back of the stove and through a stainless steel manifold at the rear of the firebox. This additional hot oxygen allows any unburned gasses to be burned inside the stove. The action of secondary combustion can be readily seen through the viewing glass a slow, rolling flames suspended over the main fuel bed and smaller jets of flame extending from the secondary manifold ports. At the same time, no smoke will be observed exiting the chimney. This is evidence that the stove is operating at the so-called "sweet-spot" wherein optimum efficiency is realized.

### Use a Stove-top Thermometer

Determining the primary air setting for the best overall performance for your particular needs and installation will be established over time through trial and error. Each installation has unique characteristics that will affect stove performance. Use a stove-top thermometer to monitor the status of the fire. Place the thermometer centered on the stove top. Generally speaking, once the stove temperature has reached 400°F - 600°F, the air control may be set in a mid-range position to allow adequate oxygen to support efficient combustion throughout the burn cycle.

### Break-In Procedure

The Jøtul F 100 is constructed of cast iron and stove furnace cement. Cast iron, while very durable, expands and contracts as it is heated and cooled. This type of construction requires the stove to be "broken-in" gradually so that thermal expansion does not occur too quickly. The following steps describe the proper break-in procedure :

1. Light a small fire of newspaper and kindling. Only allow the stove to reach a maximum surface temperature of 200°F (93° C). Burn for approximately 1 hour.
2. Allow the stove to cool to room temperature.
3. Light a second fire, allowing the stove to reach a maximum temperature of 300°F (149°C) for 1 hour.
4. Cool the stove to room temperature.
5. Light a third fire and gradually allow the stove to reach a surface temperature of 400°F (204°C).
6. Cool stove to room temperature. This completes the "break-in" procedure.

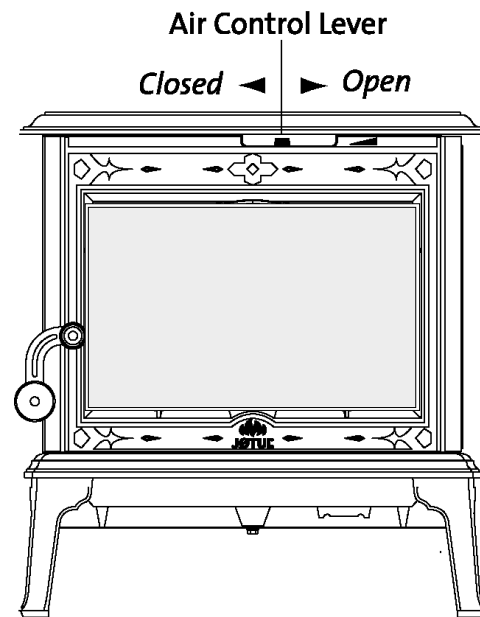


Figure 14. Slide the Air Control Lever to the right to increase combustion air and to the left to decrease combustion air.

**Note:** Keep the stove under 400°F (204°C) surface temperature during any "break-in fire", with the exception of the last "break-in" fire. If the temperature exceeds 400°F, move the primary air control lever all the way to the left to shut off the air supply completely. It is normal that the stove top temperature will continue to climb until the fuel burns down somewhat. Once the fire is out and the stove has cooled to room temperature, continue the break-in procedure. **Never attempt to reduce the temperature by removing burning logs from the fire.**

**NOTE:** It is normal for a new, painted stove to emit odor and smoke during the first few fires. This is caused by curing of the high temperature paint and will diminish with each fire. Open a window or door to provide additional ventilation to alleviate this condition.

**Enamel Stove:** You may notice moisture condensation on the surface of the stove during the first few fires. To avoid permanent spotting of the surface, use a soft towel to wipe the moisture away.

**WARNING: DO NOT OVERFIRE THIS HEATER. IF ANY PART OF THE STOVE OR CHIMNEY CONNECTOR GLOWS, YOU ARE OVERFIRING. A HOUSE FIRE OR SERIOUS DAMAGE TO THE STOVE OR CHIMNEY COULD RESULT.**

**ATTEMPTS TO ACHIEVE HEAT OUTPUT RATES THAT EXCEED HEATER DESIGN SPECIFICATIONS CAN RESULT IN PERMANENT DAMAGE TO THE HEATER.**

## Starting and Maintaining a Fire

Burn only solid wood directly on the bottom grate of the stove. Do not elevate the fire in any way.

### Traditional Fire Building

1. With the primary air control lever in the full open position (*to the right*), place several sheets of crumpled paper directly on the grate. On top of the newspaper, place several pieces of small dry kindling (approx. 1" in diameter) with two to three larger logs (approx. 3" to 5" in diameter) on top.
2. Light the fire and close the door, slowly building the fire by adding larger and larger logs. Be sure to follow the break-in procedure before creating a hot fire that might damage the stove.
3. Once the stove has reached a surface temperature range of between 400° and 600°, (204°C -316°C), adjust the primary air control lever as necessary to generate the heat output and burn time desired.

We recommend using a magnetic stove top thermometer to monitor the surface temperature of the stove. The optimum surface temperature range for the most efficient burn is between 400° and 600° (204°C -316°C). for the best locations to place a stove-top thermometer.

### Top-Down Fire Building

Many people find this method to be superior to the traditional method. See fig. 15.

1. With primary air control lever in the full open position (*to the right*), place two short 1/4-split logs on the firebox floor, perpendicular to the rear wall, about 6 inches apart.
2. Place kindling across the base logs.
3. Place one or two smaller logs on top of the kindling.
5. Place newspaper between the two bottom logs under the kindling. Light the news paper and close the door. Continue to add kindling and small logs as necessary to build the fire. Keep the air control fully open until the fire is well-established.

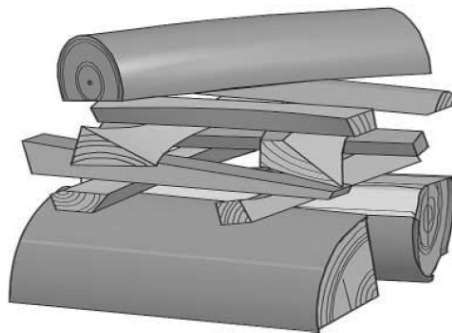


Figure 15. Top-down fire starting structure.

---

## Creosote and Soot Formation and the Need for Removal

When wood is burned slowly, it produces tar and other organic vapors which combine with expelled moisture to form creosote. These creosote vapors condense in the relatively cool chimney flue of a slow burning fire. The creosote that accumulates in the flue is highly flammable and is the fuel of chimney fires. To prevent a chimney fire, the creosote needs to be removed by sweeping the chimney and flue connector. The frequency of sweeping will depend on how you operate your stove. An accumulation of 1/4" or more on the sides of the flue or connector is considered hazardous and should be removed.

In the event that creosote in your chimney or flue connector ignites, the resulting fire is often accompanied by a roaring noise and a crackling sound as flakes of burned creosote break loose. If you suspect you are having a chimney fire, immediately close the primary air control and make sure the stove door is closed. Call the fire department and get everyone safely out of the house.

Trying to extinguish the fire in the stove will not help. In fact it can make the matter worse by allowing more oxygen through the door, which then accelerates the fire in the chimney. When the roaring and crackling has stopped, you should resist the temptation to open the door and look at the fire. The fire may have suffocated, but could rekindle when you open the door. After a chimney fire, do not use your stove until the chimney and the flue connector has been cleaned and inspected to ensure that no damage has occurred.

---

## Adding Fuel

When reloading the stove while it is still hot and a bed of hot embers still exists, follow this reloading procedure:

- Always wear gloves when tending to the stove.
- Place only the Primary Air Control in the full open position (far right). The Start-up Air Control should be fully closed when the stove is operating.
- Wait a few seconds before opening the door.
- Use a stove tool or poker to distribute the hot embers equally around the firebox and away from the air inlet ports at the front center of the firebox floor.
- Load the fuel, usually with smaller logs first.
- Close the door, be sure to latch the door tightly.
- Wait 5 – 10 minutes before adjusting the air controls to the desired heat output setting. (If you have at least a 2" thick ember bed when reloading, it may be possible to close the door and immediately adjust the air control setting).



# Maintenance

## Ash Removal

Ash removal will be required periodically, depending on how frequently the stove is used. Avoid letting the ash accumulate to spill over the Ash Fettle. For your protection, always wear safety gloves when handling the ashes. Use an ash shovel to remove the accumulation from the bottom of the firebox. The Fettle may be lifted from the front of the firebox to aid in ash removal.

Ashes should only be placed in a metal container equipped with a tight sealing lid. The container should be placed on a noncombustible floor or on the ground, well away from all combustible materials, pending final disposal. If the ashes are disposed of by burial in soil or otherwise locally dispersed, they should be kept in the closed container until all cinders have thoroughly cooled.

## Glass Care

### Cleaning

On occasion it will be necessary to clean the carbon deposits and fly ash off of the glass. If the carbon and fly ash are allowed to remain on the glass for an extended period of time it could eventually cause the glass to become etched and cloudy. Any creosote that might develop on the glass will burn off during the next hot fire.

*Follow this cleaning procedure:*

1. Glass needs to be completely cool.
2. Only use a cleaner that is specifically designed for this purpose. The use of abrasives will damage the glass and ultimately leave the glass frosted.
3. Rinse and dry glass completely before burning the stove.

**Caution!** Always operate the door slowly and carefully to avoid cracking or breaking the glass. Never use the door to push wood into the firebox. If the glass becomes cracked or broken follow the replacement procedure below.

**Never operate the stove with a cracked or broken glass panel.**

**Important:** Replace glass only with ceramic glass panel specifically designed for the Jøtul F100. Do not use substitutes. Replacement glass is available from your local Jøtul dealer.

## Glass Removal or Replacement

The glass may be removed with the door in place.

1. Hold the glass in place while you remove the glass clips from the inside of the door. Lift the glass panel off of the two bottom tabs in the door.
2. Center the new glass panel over the gasket and reinstall the glass clips. **See figure 16.**
3. It may be necessary to retighten the glass clips after the stove has been burned and the gasketing has been seated.

**Important:** It is extremely important to tighten the glass clips gradually and alternately. Uneven or too great pressure can damage the glass.

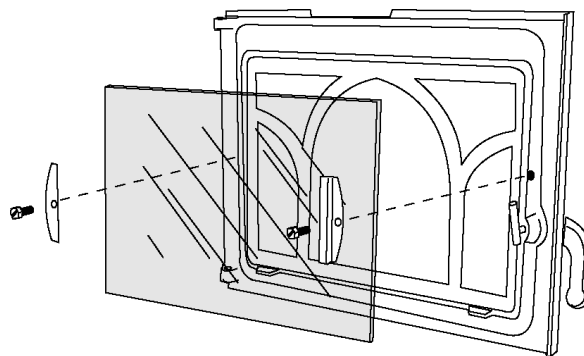


Figure 16. Glass and Gasket Replacement

## Chimney System

The Jøtul F 100 is designed to burn cleanly and efficiently when used according to the guidelines in this manual. In order to maintain proper performance, you should inspect the chimney and chimney connector at the beginning of each heating season and then every other month during the heating season. Clean the chimney whenever creosote and fly ash accumulation exceeds 1/4 inch in any part of the system.

Chimney brushes are available from your local Jøtul dealer or hardware supply store. Your dealer can also refer you to a reputable, professional chimney sweep who will have all the equipment to ensure a complete and proper job. Failure to keep the chimney system free of creosote and build up could result in a serious chimney fire.

## 7.0 General Maintenance

As with your car, regular maintenance will prolong the life of your stove and ensure satisfactory performance.

### Enamel Care:

- DO NOT ATTEMPT TO CLEAN HOT ENAMEL SURFACES. Clean only cold enamel surfaces with a soft damp cloth and polish with a clean dry cloth.
- DO NOT USE SOAPY OR ABRASIVE SOLUTIONS. These can cause stains. Coffee, tea, and fruit juices will also cause stains.
- Avoid contact with metal objects. Trivets, kettles, or pots, can damage the enamel.

### Annual Inspection:

- Empty stove of all soot and ashes. Only use a vacuum for this job if the vacuum is specifically designed for ashes.
- Inspect the stove seams. Use a utility light to inspect the stove inside and out for cracks or leaks. Replace all cracked parts and repair any cement leaks with furnace cement.

## Gaskets

Check door and glass panel gaskets for tightness. To check the seal of the front door, close and latch the door on a dollar bill and slowly try to pull the dollar bill free. You should feel resistance as you pull. If it can be easily removed, the seal is too loose. Check several spots around the door.

## Gasket Replacement

1. Use pliers and a putty knife to remove the old gasket from the door.
2. Thoroughly clean the channel with a wire brush.
3. Apply a small bead of cement to the channel.
4. Gently press the new gasket into the cement to seat it in the channel. Close and latch the door and then reopen. Wipe away any excess cement that may have squeezed out from around the gasket.

### Gasket List for the Jøtul F 100

Description	Part #	Size	Length
Top Plate Gasket	100038	3/8" LD	7
Flue Collar Gasket	200028	3/16" LD/SA	3' Glass
Gasket	100038	3/8" LD	5' Door
Gasket	100030	5/16" LD	5'

## 8.0 Accessories

### Stove-Top Thermometer #5002

- Helps you achieve optimal performance by monitoring the surface temperature of the stove. The optimum surface temperature range for the most efficient performance is 400° F - 600° F (205° C - 316° C).

### Stove Gloves #157363

- Heavy-duty, heat-resistant with full gauntlets.

### Universal Gasket Kit #157050

- Contains enough gasket material to refurbish the seals around the glass and door openings

## 9.0 Jøtul North American Woodburning Product Warranty

Effective January 1, 2013

This warranty policy applies to wood-burning products identified by Jøtul and Scan trade names, as set forth below.

### A. LIMITED LIFETIME WARRANTY, parts only:

Jøtul North America Inc. (JØTUL) warrants, to the original retail purchaser, that those baffle and air manifold components of the Jøtul Stove or Fireplace Insert specified above will be free of defects in material and workmanship for the life of the product. This warranty is subject to the terms, exclusions and limitations set forth below.

### B. LIMITED FIVE YEAR WARRANTY - Cast Iron and Steel Components:

JØTUL warrants, to the original retail purchaser, that those components of the Jøtul Stove or Fireplace Insert specified above will be free of defects in material and workmanship for a period of five (5) years from the date of purchase. This warranty is subject to the terms, exclusions and limitations set forth below.

### C. LIMITED TWO YEAR WARRANTY - Enamel Finish:

JØTUL warrants, to the original retail purchaser, the enamel finish on cast iron components of the Jøtul Stove or Fireplace Insert specified above against peeling or fading for a period of two (2) years from the date of purchase. This warranty is subject to the terms, exclusions and limitations set forth below.

### D. LIMITED ONE YEAR WARRANTY - Electrical Components (blowers, thermostatic switches):

JØTUL warrants, to the original retail purchaser, that those components of the Jøtul Stove or Fireplace Insert specified above will be free of defects in material and workmanship for a period of one (1) year from the date of purchase. This warranty is subject to the terms, exclusions, and limitations set forth below:

JØTUL will repair or replace, at its option, any of the above components determined by JØTUL to be covered by this warranty. You must, at your own expense, arrange to deliver or ship the component to an authorized Jøtul dealer and arrange for pickup or delivery of the component after repairs have been made. If, upon inspection, JØTUL determines that the component is covered by this warranty, the repair or replacement will be made as set forth above. This warranty is not transferable and is extended only to,

and is solely for the benefit of, the original retail purchaser of the Jøtul Stove or Fireplace Insert. This paragraph sets forth the sole remedy available under this warranty in the event of any defect in the Jøtul Scan Stove or Fireplace Insert.

The warranty period for any replaced component will be the remaining unexpired portion of the warranty period for the original component.

Please retain your dated sales receipt in your records as proof of purchase.

## EXCLUSIONS AND LIMITATIONS

**NOTICE:** This warranty is void if installation or service is performed by someone other than an authorized installer or service agency, or if installation is not in conformance with the installation and operating instructions contained in this owner's manual or local and/or national fire and building regulations. A listing of local authorized installers, service agencies and gas suppliers can be obtained from the National Fireplace Institute at <http://www.nficertified.org/>.

### This warranty does not cover the following:

1. Repair or replacement of parts that are subject to normal wear and tear during the warranty period or to parts that may require replacement in connection with normal maintenance. These parts include paint, gaskets, burn plates, ceramic insulation blankets, skamol baffles and panels, firebricks, fire grates, or glass (Ceramic glass is warranted against thermal breakage only).
2. Damage due to incorrect installations not in conformance with the installation instructions contained in this owner's manual or local and/or national fire and building regulations.
3. Damage, including damage to enamel surfaces, caused by improper operation, over-firing, and/or misuse. Improper operation, such as burning the stove with the ash door open, can damage the stove. Over-firing occurs when any part of the stove glows red. Over-firing can also be identified by warped plates, rust-colored cast iron, paint pigment that has turned dusty white, or bubbling, cracking and discoloration of the enamel finish. Misuse includes, without limitation, use that is not in conformance with the operating instructions contained in this owner's manual.
4. Damage to enamel finish including chipping, mechanical or chemical abrasion, crazing, staining, or rust caused by high humidity or salt air environments.
5. Damage from or repair of rust. Use of a stove-top steamer can cause rust.
6. Damage due to service performed by an installer or service agency, unless otherwise agreed to in writing by JØTUL.

### *Exclusions, cont'd.*

7. Damage caused by unauthorized modification, use or repair.
8. Costs incurred by travel time and/or loss of service.
9. Labor or other costs associated with the repair of components beyond the warranty period.
10. Damage incurred while the Jøtul Stove or Fireplace is in transit.

**IN NO EVENT SHALL JØTUL, ITS PARENT COMPANY, SHAREHOLDERS, AFFILIATES, OFFICERS, EMPLOYEES, AGENTS OR REPRESENTATIVES BE LIABLE OR RESPONSIBLE TO YOU FOR ANY SPECIAL, INDIRECT, INCIDENTAL, CONSEQUENTIAL, PUNITIVE OR OTHER SIMILAR DAMAGES, INCLUDING, BUT NOT LIMITED TO, LOST PROFITS, LOST SALES, INJURY TO PERSON OR PROPERTY, OR DAMAGES TO A STRUCTURE OR ITS CONTENTS, ARISING UNDER ANY THEORY OF LAW WHATSOEVER. ALL IMPLIED WARRANTIES, INCLUDING THE IMPLIED WARRANTIES OF MERCHANTABILITY AND FITNESS FOR A PARTICULAR PURPOSE, OR OTHERWISE, ARE LIMITED IN DURATION TO THE LENGTH OF THIS WRITTEN WARRANTY. EXCEPT AS EXPRESSLY SET FORTH HEREIN, JØTUL MAKES NO ORAL, WRITTEN OR OTHER WARRANTY WITH RESPECT TO JØTUL STOVES OR FIREPLACES.**

Some states do not allow the exclusion or limitation of incidental or consequential damages, or limitations on the length of implied warranties. Therefore, the above exclusions or limitations may not apply to you. This warranty gives you specific legal rights, and you may have other rights, which vary from state to state.

JØTUL reserves the right to discontinue, modify or change the materials used to produce the Jøtul Stove or Fireplace Insert. JØTUL shall have the right to replace any defective component with substitute components determined by JØTUL to be of substantially equal quality and price.

The dollar value of JØTUL's liability for breach of this warranty shall be limited exclusively to the cost of furnishing a replacement component. JØTUL may at its discretion discharge all obligations by refunding the wholesale price of any defective part or appliance. JØTUL shall in no event be liable for any special, indirect or consequential damage of any nature which is in excess of the original wholesale purchase price of the product. JØTUL shall not in any event be liable for the cost of labor expended by others in connection with any defective component. Any costs or expenses beyond those expressly assumed by JØTUL under the terms of this warranty shall be the sole responsibility of the owner(s) of the Jøtul Stove or Fireplace.

No dealer, distributor, or other person is authorized to modify, augment, or extend this limited warranty on behalf of JØTUL. **NO MODIFICATION OR CHANGE TO THIS WARRANTY WILL BE EFFECTIVE UNLESS IT IS MADE IN A WRITTEN DOCUMENT MANUALLY SIGNED BY AN AUTHORIZED OFFICER OF JØTUL.**

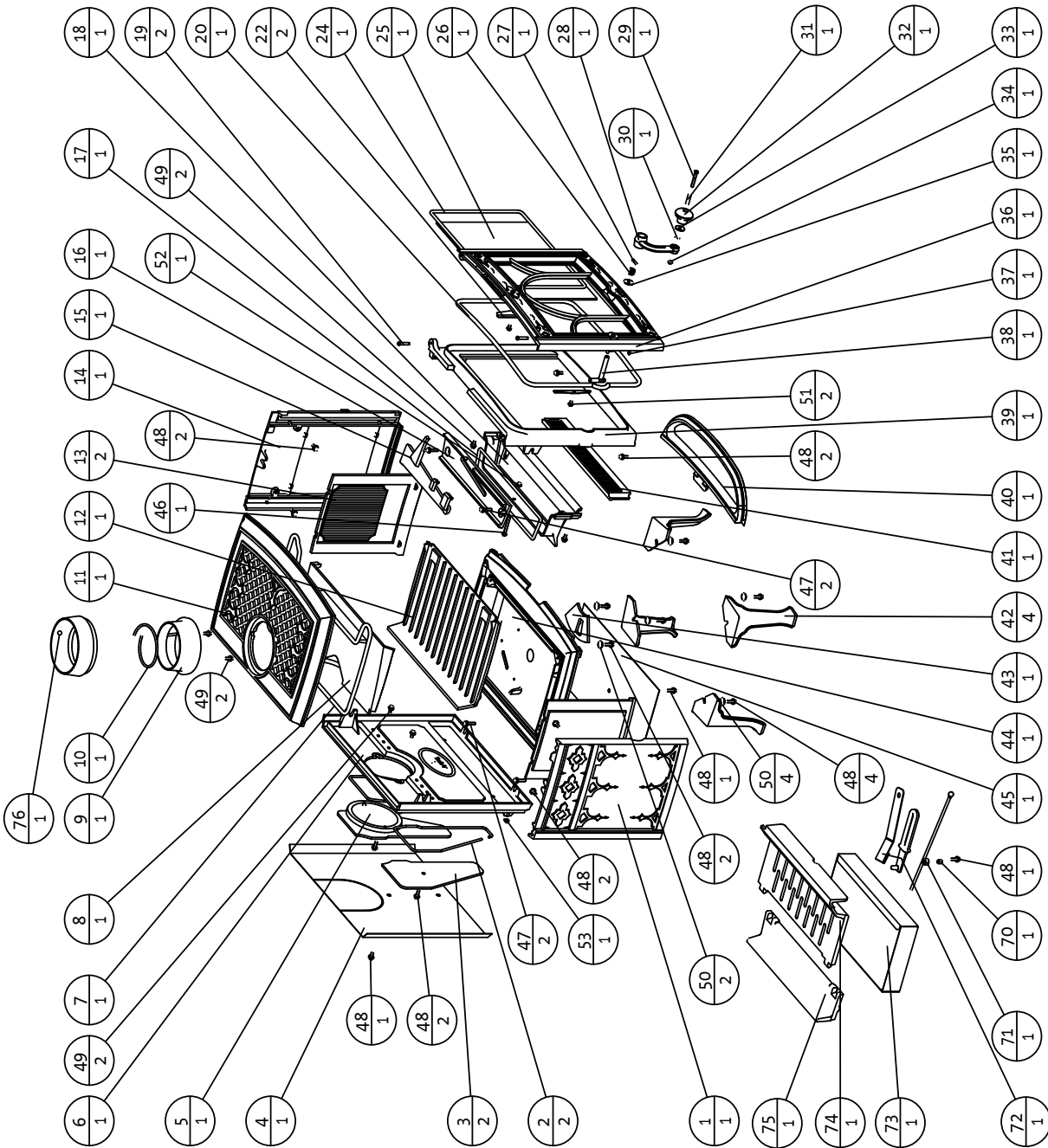
An authorized installer may have been provided with certain information related particularly to the Jøtul Stove or Fireplace; however, no authorized installer or other person who may service the appliance is an agent of JØTUL. No inference should be made that JØTUL has tested, certified, or otherwise pronounced any person as qualified to install or service the appliance. JØTUL shall not be liable or otherwise responsible for any error or omission by a person installing or servicing a Jøtul Stove or Fireplace Insert.

If you believe your Jøtul Stove or Fireplace Insert is defective, you should contact your nearest authorized Jøtul dealer, who will process a warranty claim. **IN ORDER TO QUALIFY FOR WARRANTY COVERAGE, JØTUL MUST RECEIVE NOTICE OF A POSSIBLE DEFECT WITHIN SIXTY (60) DAYS OF THE DATE THE DEFECT IS FIRST DISCOVERED, OR REASONABLY COULD HAVE BEEN DISCOVERED.**

***This warranty is given by Jøtul North America, Inc.,  
55 Hutcherson Drive, Gorham, Maine 04038***

*This page is intentionally blank.*

# 10.o Jøtul F 100 Illustrated Parts Breakdown



Jøtul AS Fredrikstad, Norway	Jøtul F 100	Draw no: 1-1708-P02	Date March 06
---------------------------------	-------------	------------------------	------------------

<b>Pos. no.</b>	<b>Description</b>	<b>Dim./Spec.</b>
1	Side plate , left	Cast iron
2	Gasket (for rear plate)	LD 250-2 Ø6,4x750mm
3	Cover for air manifold	Cast iron
4	Heat shield rear	
5	Smoke outlet cover	Cast iron
6	Rear plate new	Cast iron
7	Gasket (for top)	LD 375-2 Ø9,5x1620mm
8	Baffle	Cast iron
9	Smoke outlet, non dripless Ø125	Cast iron
10	Gasket (for smoke outlet)	LD 187-1 Ø4,8x500mm
11	Top plate , complete	Cast iron
12	Inner bottom	Cast iron
13	Burn plate, side	Cast iron
14	Side plate , right	Cast iron
15	Valve	Cast iron BP
16	Valve plate	Cast iron
17	Gasket (for valve plate)	LD 250-2 Ø6,4x835mm
18	Air Deflector	Cast iron BP
19	Hinge pin	Ø6x33mm
20	Gasket (for door)	LD 375-2 Ø9,5x1620mm
22	Glass Clip	0,9mm steel
24	Gasket (for glass)	LD 250-2 Ø6,4x1300mm
25	Glass	379x270x4mm
26	Spring	4mm ceramic
27	Spring Pin	Ø5x24mm
28	Latch	Cast iron
29	Screw, machine pan head pozidrive	M6x40
30	Washer	Ø6,4xØ12,5x1,6, St8.8
31	Sleeve	Ø8xØ6xL27,5mm
32	Wooden knob	hard wood
33	Washer, insulating	Special
34	Nut hexagon	M6, St8.8
35	Washer, black-chromated, special	Ø10,5x25x1,5
36	Door , complete excl/glass	
37	Gasket (for door)	LD V-125 Flat 8x30mm
38	Latch bolt	st 37
39	Front plate	Cast iron
40	Ash lip packed	Cast iron
41	Log/Ash retainer	Cast iron BP
42	Leg 155mm	Cast iron
43	Valve/cover plate	Cast iron
44	Bottom plate	Cast iron
45	Heat shield, under	AluZn coated steel
46	Screw, hexagon cap	M6x50, St8.8
47	Screw, hexagon cap flange	M6x25, St8.8
48	Screw, hexagon cap flange	M6x16, St8.8
49	Screw, hexagon cap flange	M6x12, St8.8
50	Washer	Ø8,4xØ20x1,5, St8.8
51	Screw, machine pan head pozidrive	M6x8
52	Nut, cap flange	M6, St8.8
53	Gasket (for rear plate)	LD V-125 Flat 8x30mm
70	Sleeve	For Europe
71	Handle	For Europe
72	Loose handle	For Europe
72	Loose handle flat	For Europe
73	Ash pan	For Europe
74	Grate, (for multifuel)	For Europe
75	Inner bottom, rear, (for multifuel)	For Europe
76	Smoke outlet, dripless Ø125 new	Cast iron
76	Smoke outlet, dripless Ø125 UK	Cast iron

**Only use replacement parts  
provided through your  
authorized Jøtul dealer.**

130678\_R04  
August 2016

We appreciate your trust in welcoming our product into your home and invite your comment and appraisal of our efforts to provide you with the finest in home hearth products. Jøtul North America, Inc. pursues a policy of continuous product development. Products may therefore differ in specification, colour and type of accessories from those illustrated and described in this manual.

### For Your Records...

Record the following information to help your dealer determine what you will need should your stove ever require parts or service. The serial number and manufacturing date are indicated on the permanent label located on the back of the stove. You may also wish to attach your sales receipt to this manual for future reference.

Model: Jøtul F 100 Nordic QT

Serial Number:

Purchase Date:

Dealer:

Phone:

Installed by:

Date:

**Jøtul North America Inc.**  
55 Hutcherson Drive  
Gorham, Maine 04038  
USA

**Jøtul AS**  
P.O. Box 1411  
N-1602 Fredrikstad,  
Norway

[www.jotul.us](http://www.jotul.us)

